

KEY DATA

★ **OPTIMIZED CLASSIFYING TROUGHOUT THE WHOLE LINING'S LIFECYCLE**
REVERSIBLE DEFLECTORS' CONCEPT AND DESIGN

★ **REDUCED WEIGHT OF LINING (KG/M²)**

DIA (M)	TRADITIONAL CLASSIFYING LININGS	XCLASS®
3.0 - 3.2	392	310
3.4 - 4.2	433	310
4.4 - 4.6	465	310

★ **REDUCED UNIT WEIGHT OF CLASSICAL "HIGH" PLATES (KG)**

DIA (M)	TRADITIONAL CLASSIFYING LININGS	XCLASS®
3.0 - 3.2	40	25
3.4 - 4.2	43	25
4.4 - 4.6	56	25

★ **INCREASED 2nd COMPARTMENT USEFUL DIAMETER (MM)**

DIA (M)	AVERAGE THICKNESS TRADITIONAL CLASSIFYING PLATE	THICKNESS XCLASS® PLATE	△ ON USEFUL DIAMETER
3.0 - 3.2	68	48	+ 40 mm
3.4 - 4.2	76	48	+ 56 mm
4.4 - 4.6	86	48	+ 76 mm

★ **REDUCED NUMBER OF COMPONENTS:**
1 BASE PLATE + 1 SUPPORT PLATE + 1 DEFLECTOR

MAGOTTEAUX S.A.
rue A. Dumont
4051 VAUX-SOUS-CHEVREMONT
BELGIUM
Tel.: 32/(0)4/361 7617
Fax: 32/(0)4/361 7699

MAGOTTEAUX INC.
1 Maryland Farm, Suite 200
Brentwood, TN 37027
U.S.A.
Tel.: 1/615/385 3055
Fax: 1/615/297 6743

MAGOTTEAUX BRASIL LTDA
1221 Avenida General D. Sarroff
Cx Postal 130
32210 - 110 Contagem Minas Gerais
BRAZIL
Tel.: 55/31/2191 8900
Fax: 55/31/2191 8905

MAGOTTEAUX ANDINO S.A.
Rosal 331
Oficina 61
Santiago (Centro) de Chile
CHILE
Tel.: 56/2/632 6642
Fax: 56/2/633 5725

MAGOTTEAUX PTE LTD
170 Upper Bukit Timah Road
19 - 02 Bukit Timah Shopping Centre
Singapore 588179
SINGAPORE
Tel.: 65/6466 3933
Fax: 65/6466 5700

MAGOTTEAUX CO. LTD
Room 3123, 31st floor
Thai CC Tower Building
889, South Sathorn Road, Yannawa
Sathorn, Bangkok 10120
THAILAND
Tel.: 662/210/0566
Fax: 662/210/0571

www.magotteaux.com

 **MAGOTTEAUX**
SHAPING A WORLD OF PERFORMANCE

 **Xclass®**

The revolutionary classifying lining
by Magotteaux

 **MAGOTTEAUX**
SHAPING A WORLD OF PERFORMANCE

XCLASS[®] MAGOTTEAUX'S PATENTED SECOND CHAMBER LINING

NOW, CLASSIFYING AND LINING PLATES EACH HAVE A ROLE OF THEIR OWN

1. Classifying elements

- Deflectors in a spiral shape arrangement classify the grinding media
- Number, location and orientation of deflectors depending on mill characteristics

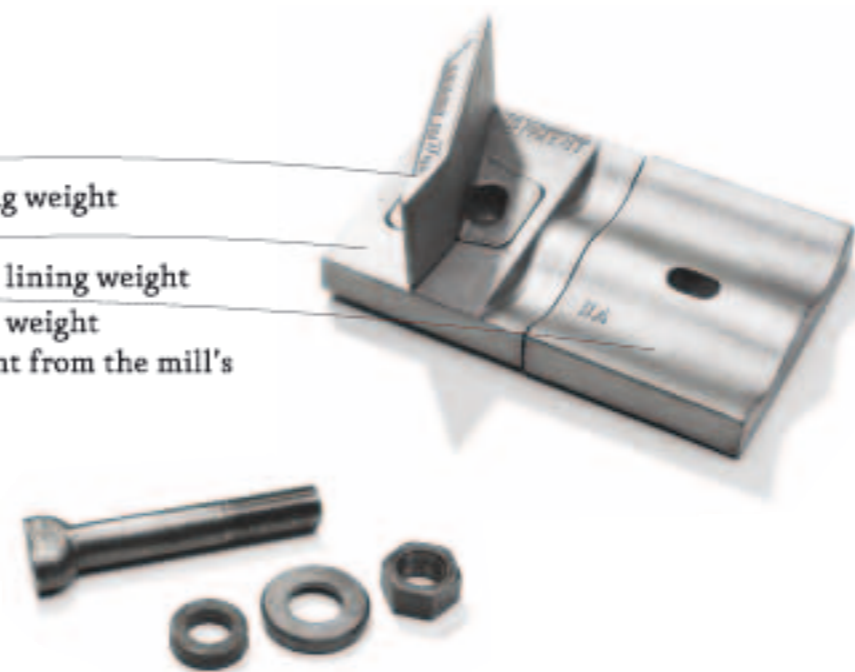
2. Lining elements

- Base plates protect the shell

3. Accessories

- One bolt type only

- **Deflectors** - 4 to 7% of lining weight
- **Support plates** - 7 to 10% of lining weight
- **Base plates** > 80% of lining weight
Both plates are independent from the mill's sense of rotation
- One single bolt type
No backing material required



Technical specifications

- DIN drilled shell (250x314mm) or similar
- Raw mills and cement mills
- Maximum ball diameter: 60mm



Key benefits

- Constant classifying efficiency
- Reduced weight
- Increased useful grinding volume
- Reduced installation costs
 - Easy handling and assembling
 - Short installation time
- Increased safety
- Standard items on stock



PREVIOUSLY, all traditional classifying liners shared the same characteristics

Working principle:

- Truncated cones used to protect the shell and to create slopes that classify the media

Limits:

- Thick and heavy plates -> difficult to handle
-> reduction in useful volume
- Loss of classifying effect with wear -> non-reversible

